



**DESCRIPTION AND APPLICATION**

The SENSITEST 204C and 2004C digital thermometers are developed to measure temperature of solid liquid and gaseous media using external temperature probes. The corresponding temperature probes are connected to the device by means of a CINCH type connector. The probes using the Ni 1000/6180 sensing element of accuracy class A can be connected to the one device. The SENSITEST 204C version is able to measure temperature with the resolution of 0,1 °C, whereas the sensitest 2004C is able to perform this function with the resolution of 1 °C.

Possible battery voltage drop is indicated by the warning notification "LO BAT". Under reduced visibility conditions the brightness of the display can be enhanced by pushing the "Light" button. The standard operating temperature range is determined by the type of the temperature probe connected, the maximum operating temperature range is -30 to 250 °C. Using the SENSITES 204C the maximum temperature of 199,9 °C can be displayed.

These digital thermometers are designed for operation in a chemically non-aggressive environment.

**ACCESSORIES**

- The wall clamping

**DECLARATION, CERTIFICATES, CALIBRATION**

**EC Declaration of Conformity** – in accordance with Act No. 22/1997 Coll. as amended for digital sensors SENSITEST.

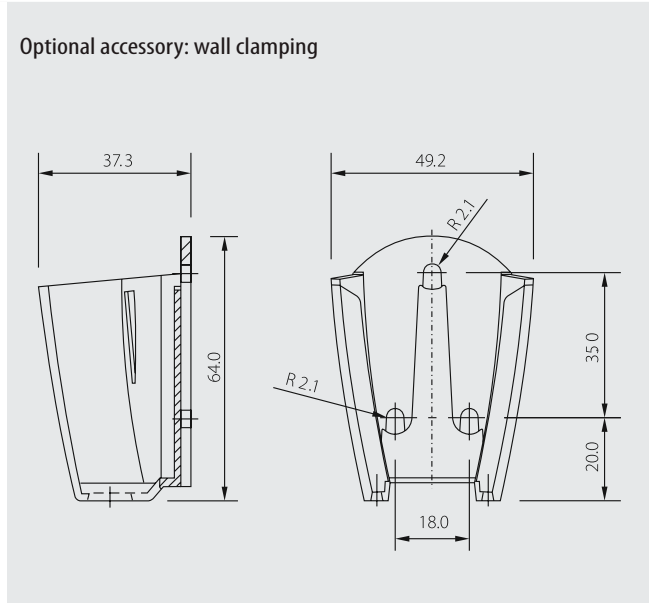
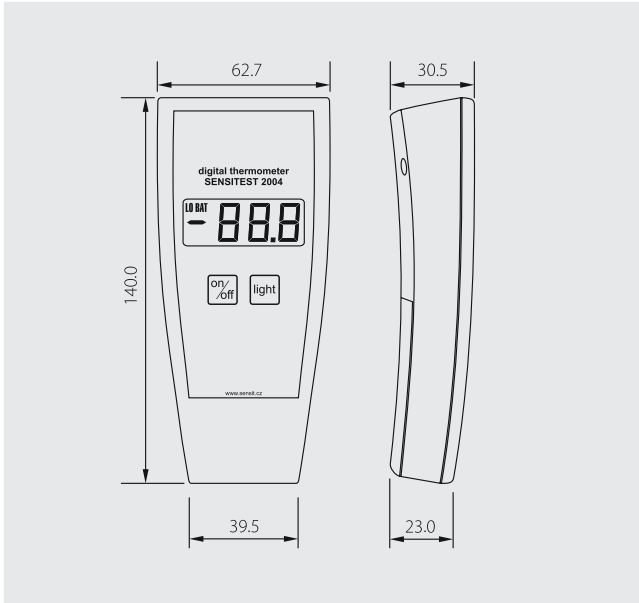
**Calibration** – at the customer's request the calibration can be provided in an accredited laboratory.



**SPECIFICATIONS**

Type of device	SENSITEST 204C	SENSITEST 2004C
Resolution	0.1 °C	1 °C
Type of sensing element	Ni 1000/6180	
Measurement speed	3 measurements per second	
Maximum operating temperature range	-30 to 199,9 °C	-30 to 250 °C
Power supply	9 V battery 6F22 or NiCd cell	
Battery operation service hours	100 hours	
Measurement accuracy of the thermometer including a probe	0 to 100 °C ± (0.3 % of measure temperature + 1 digit)	-30 to 250 °C ± (0.4 % of measure temperature + 1 digit)
Display	3 and 1/2 digits – LCD, character height 13 mm	
Operating temperature	0 to 50 °C	
Connector	CINCH	
Material of the enclosure	ABS (UL94HB)	
Colour of the enclosure	black or white	
Dimensions enclosure	62.7 x 140 x 30.5 mm	
Ingress protection	IP 41 according to EN 60 529	
Weight	0.11 kg (without battery)	

**DIMENSIONAL DRAFT**



**USER INSTRUCTIONS FOR SENSITEST THERMOMETERS**

Switch on the device by the ON/OFF push button, which is located below the display unit. Once activated, the digital thermometer starts to measure temperature immediately. When no temperature probe is connected, "0" is shown on the display.

The battery is located under the removable cover at backside of the instrument.

Possible battery voltage drop is indicated by displaying the warning notice "LO BAT". In this case the battery 9V should be replaced.